

# ORWAK

## FLEX 5030-NHD

FLEX

### THIS SPECIAL VERSION OF THE ORWAK

**FLEX 5030** provides you with a safe way of compacting hazardous waste directly into drums.



## Safety



## Orwak benefits

### MORE PRODUCTIVE USE OF TIME

Less time spent on waste handling, more time for your core activities!

### MORE SPACE & ORDER

Our balers rapidly minimizes the space the waste takes up, keeping aisles free and tidy.

### LESS COSTS, MORE VALUE

More compaction = less waste volume to transport. Fewer transports required results in lower transportation costs and reduced CO<sub>2</sub> emissions. Sorting at source yields a higher quality of waste material for recycling.



## Why Orwak Flex?

- + Versatile compaction for many different application areas
- + Hygienic and safe compaction and disposal of mixed or hazardous waste
- + Special solutions for special needs

# ORWAK FLEX-5030N HD

ORWAK FLEX -5030N HD IS OPTIMIZED FOR:

OTHER MATERIAL  
+ Hazardous waste

## Safe waste handling

ORWAK FLEX -5030N HD, a robust and reliable compactor, the handling, transportation and disposal of chemical waste becomes safe and simple. It compacts hazardous waste, such as glass and cans/tins containing residual paint, oil or chemicals directly into drums.

**HIGH COMPACTION RATIO ON THE SPOT**  
The -5030N HD is a compact machine with a small footprint, but even though it requires little space, it still offers a high compaction ratio of up to 10:1!

**STEEL PALLET**  
A steel pallet is included for stable placement of the drum inside the compactor. The operator effortlessly handles the heavy-duty steel pallets using a standard pallet lifter.

Standard drums can be used for storage and transport of the hazardous waste. Sorting is possible by using several drums.



### USER FRIENDLY

It is easy to feed material into the open top-loading unit. The compactor is safe and simple to operate.



## DIMENSIONS & SPECIFICATIONS

### DIMENSIONS ORWAK FLEX -5030N HD

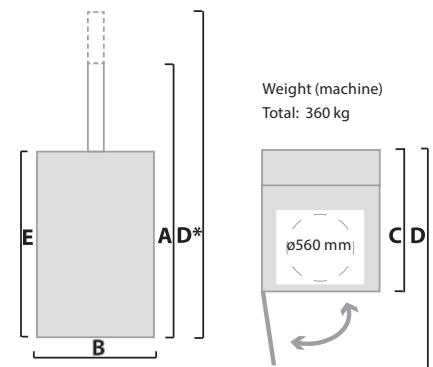
A	B	C	D	E
2165 mm	850 mm	1290 mm	2030 mm	1320 mm

### ENERGY CONSUMPTION

STANDBY MODE	MAXIMUM OPERATION ONE HOUR
---	660 W/H

### TECHNICAL SPECIFICATIONS

LOADING APERTURE	CYCLE TIME	PRESS FORCE	DRUM SIZE	NOISE LEVEL	PROTECTION CLASS	OPERATING POWER
ø 560 mm	36 secs	3 ton, 30 kN	Width: ø600 mm Height: 1005 mm	70 db (A)	IP 55	Single phase 230 V, 50 Hz, 10 A



**SiTCO**  
TOTAL PACKAGING SOLUTIONS

شركة الفصول للتجارة والصناعة الدولية  
SEASON INTERNATIONAL TRADING & INDUSTRIES CO.

P.O. Box 886, Manama - Kingdom of Bahrain, Tel: +973 17704647, Fax: +973 17704648  
E-mail: info@seasoninternational.net, web: www.seasoninternational.net

