

PM 207

Semi-automatic plastic strapping machine



The enhanced new generation strapping machine model solution for low to medium volume strapping.

PM207

Semi-automatic plastic strapping machine

The PM207 is the enhanced semi-automatic machine solution for semi-automatic low to medium volume strapping. With 30% less moving parts than conventional machines, the compact mechanical control head substantially reduces maintenance issues.

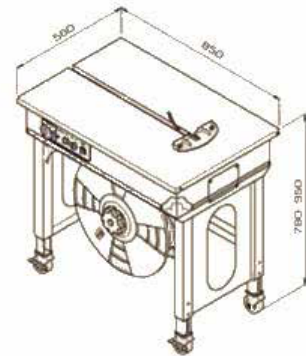
Features

- CE certified
- Proven quality
- Light, compact design
- Easy operation, simple maintenance
- Compact mechanical control head with 30% less moving parts
- Electronic outside tension control
- Sensor controlled heater
- Automatic motor stop to save energy
- Reliable P.C. board electric control
- Adjustable table height
- Safety limit switch included



Technical Data

| | |
|-------------------|--|
| Strap quality | Polypropylene PP |
| Strap dimension | widths 5.0 - 13.0 mm thickness 0.45 - 0.65 mm |
| Strap tension | adjustable, 80 - 450N |
| Sealing method | heat welding |
| Power supply | 230V / 50Hz |
| Power consumption | 0.3 kWh |
| Dimensions | Length 850 mm Width 560 mm Table height 780 - 950 mm |
| Weight | 70 kg |



SiTCO
TOTAL PACKAGING SOLUTIONS

شركة الفصول للتجارة والصناعة الدولية
SEASON INTERNATIONAL TRADING & INDUSTRIES CO.

P.O. Box 886, Manama - Kingdom of Bahrain, Tel: +973 17704647, Fax: +973 17704648
E-mail: info@seasoninternational.net, web: www.seasoninternational.net