

PM 206

Semi-automatic plastic strapping machine



The most economical strapping machine model solution for low to medium volume strapping.

PM206

Semi-automatic plastic strapping machine

The PM206 is the most economical semi-automatic machine solution for every budget. With proven quality and a very competitive price, it is probably your best choice for semi-automatic low to medium volume strapping.

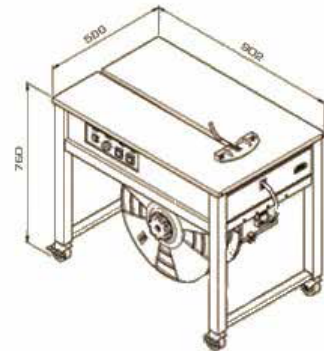
Features

- CE certified
- Proven quality
- Very competitive price
- Light, compact design
- Hinged stainless top plate
- Easy operation, simple maintenance
- Mechanical outside tension control
- Rigid castors with brake
- Automatic motor stop to save energy
- Reliable P.C. board electric control
- Safety limit switch included



Technical Data

| | |
|-------------------|---|
| Strap quality | Polypropylene PP |
| Strap dimension | widths 6.0 - 15.5 mm thickness 0.50 - 0.75 mm |
| Strap tension | adjustable, 150 - 450N |
| Sealing method | heat welding |
| Power supply | 230V / 50Hz |
| Power consumption | 0.25 kWh |
| Dimensions | Length 902 mm Width 586 mm Table height 760 - 930 mm adjustable |
| Weight | 85 kg |



SiTCO
TOTAL PACKAGING SOLUTIONS

شركة الفصول للتجارة والصناعة الدولية
SEASON INTERNATIONAL TRADING & INDUSTRIES CO.

P.O. Box 886, Manama - Kingdom of Bahrain, Tel: +973 17704647, Fax: +973 17704648
E-mail: info@seasoninternational.net, web: www.seasoninternational.net